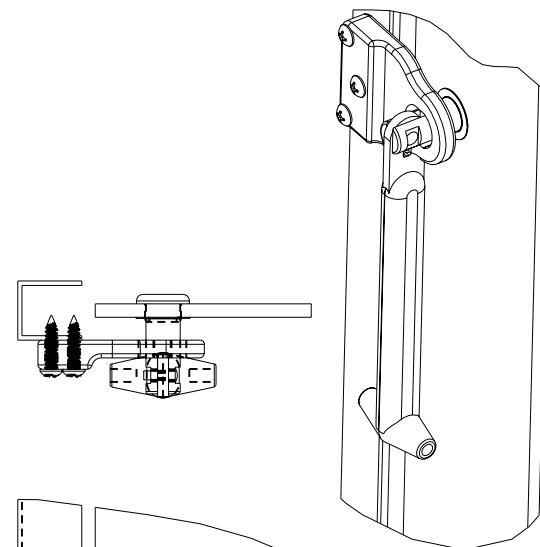
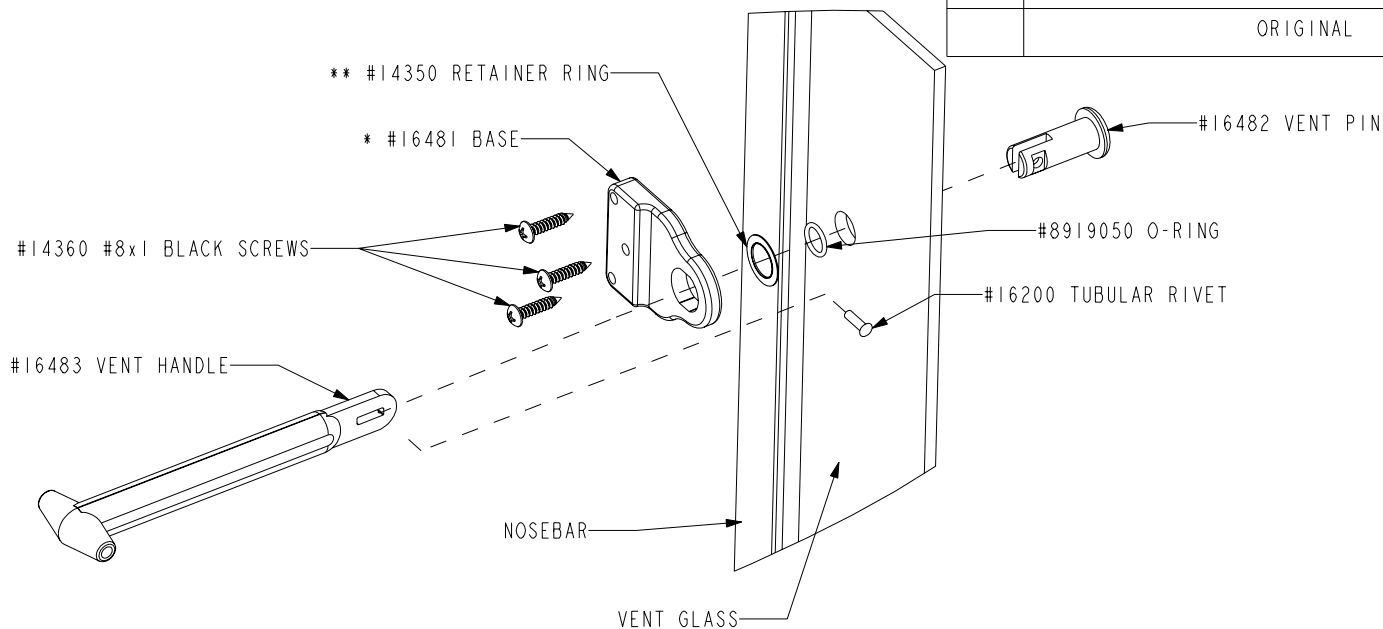


REV	DESCRIPTION	DWN BY	APVD	DATE
	ORIGINAL	TK		7/10/12



THIS SIDE OF RETAINER FACES GLASS

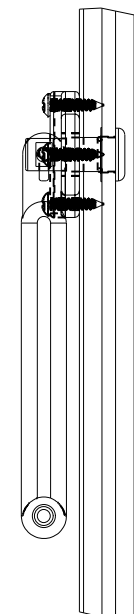
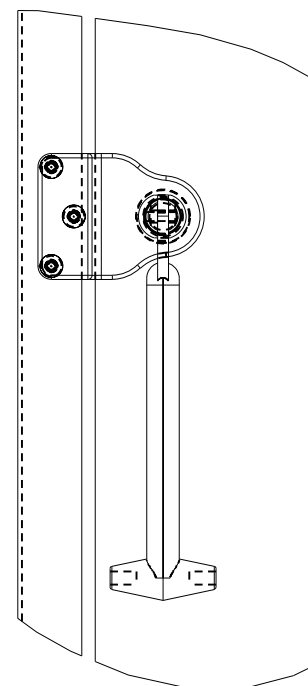
** #14350 RETAINER RING
SCALE 2.000



FOR 3 PC WINDSHIELD
INSTALL THIS FACE TO H-BAR

FOR 5 PC. WINDSHIELD
INSTALL THIS FACE TO NOSEBAR

* #16481 VENT BASE
SCALE 0.500



VENT ARM ASSEMBLY INSTRUCTIONS:

1. INSERT #16482 VENT PIN INTO VENT GLASS. SLIDE #8919050 O-RING AND #14350 RETAINER RING (**NOTE THE ORIENTATION OF RETAINER RING**) OVER THE SHAFT OF THE PIN AND PRESS INTO PLACE USING A SHORT PIECE OF #8605100 TUBE AS A TOOL.
2. INSERT #16483 VENT ARM INTO #16481 BASE. (**NOTE THE ORIENTATION OF VENT BASE**) ATTACH ARM TO PIN USING A #16200 TUBULAR RIVET (USE SEMITUBULAR RIVET TOOL TO SECURE)
3. INSTALL VENT ASSEMBLY TO THE WINDSHIELD AND SECURE THE VENT BASE TO NOSEBAR USING (3) #14360 SCREWS

Taylor Made SYSTEMS
93 South Blvd.
Gloversville, NY 12078
Phone: (518) 773-0636
Fax: (518) 773-9414
www.taylormarine.com



TOLERANCES
(UNLESS OTHERWISE NOTED)
LINEAR: +/- 1/16 INCH
ANGULAR: +/- 1.0 DEGREE

DWG SIZE: A

CUST / MODEL : TMS-051

DESIGNER: TK

DETAILER: TK

SCALE: 0.375

DESC: TYPE B VENT VENT ARM INSTALLATION

DATE: 7/10/12

PN/PROD CODE:

PAGE: