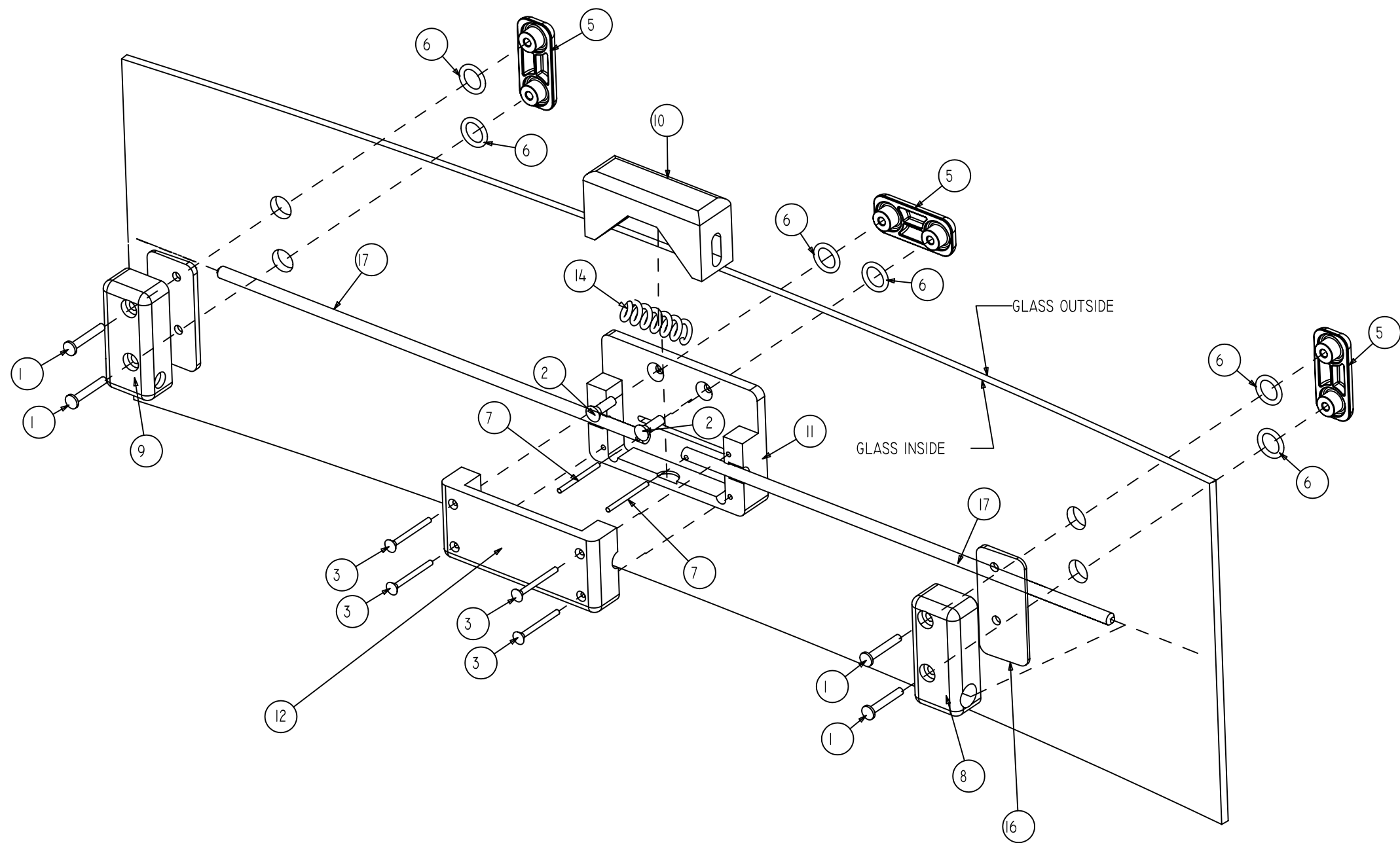


sr 350 da 703-1040178 9-17-8

TOP


REV	DESCRIPTION	DWN BY	APVD	DATE
A	RELEASED	AHU	TAV	8-28-8



BOTTOM

17	2	LATCH_ROD_FROM_40400587
14	2	8919110 ROD GUIDE SHIM
14	1	40400971_SPRING
12	1	40400868_ROD_ACT_BOX_FRT_HALF
11	1	40400869_ROD_ACT_BOX_BACK_HALF
10	1	40400870_ROD_ACTUATOR
9	1	40400871_ROD_GUIDE_LEFT
8	1	40400871_ROD_GUIDE_RIGHT
7	2	40401024_ROLL_PIN_I.25
6	6	40400241_O-RING
5	3	40400229_VENT_BUSHING
3	1	40200477_SCREW_6-32_I.25
2	2	9090200_SCREW_I0_5_8
1	4	9096000_SCREW_I0_I
INDEX	QTY	DESCRIPTION

NOTES:

		93 SOUTH BLVD. GLOVERSVILLE, NY 12078 PHONE: (518) 773-0636 FAX: (518) 773-9414 WWW.TAYLORMARINE.COM	
CUST: SEA RAY		MODEL: 350 DA	
DRAWN BY: AHU	SCALE: 0.375	APPROVED:	
DESC: CENTER SLIDER LATCH ASSEMBLY		DATE: 8-28-8	
PN/PROD CODE:	PAGE OF		